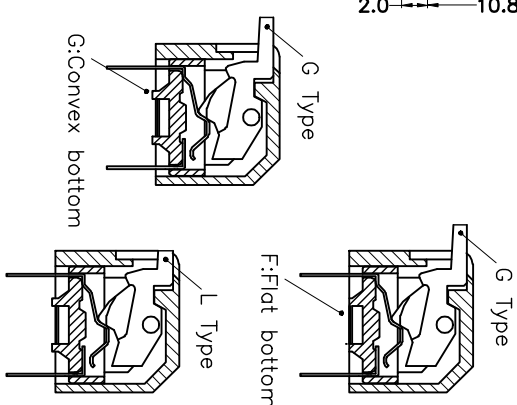
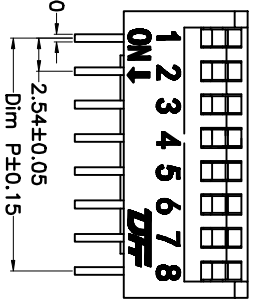
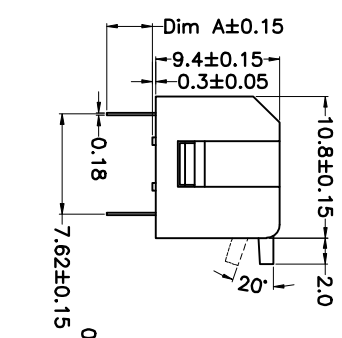
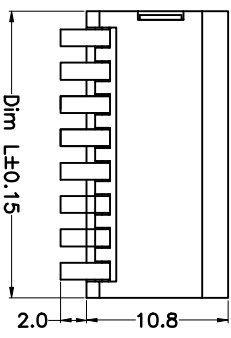
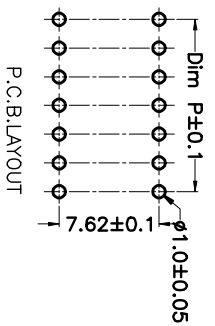


Poles	1P	2P	3P	4P	5P	6P	7P	8P	9P	10P	12P
Dim P	--	2.54	5.08	7.62	10.16	12.70	15.24	17.78	20.32	20.86	27.94
Dim L	4.09	6.63	9.17	11.71	14.25	16.79	19.33	21.87	24.41	26.95	31.03

Dim A	S:Short pin	L:Long pin
G:Convex bottom	2.7mm	3.5mm
F:Flat bottom	3.0mm	3.8mm



Material:

- 1、Base: UL94V-0 PBT Thermoplastic, black
- 2、Cover: UL94V-0 PBT Thermoplastic, red, blue
- 3、Button: UL94V-0 PA66 Thermoplastic, white
- 4、Terminal: Phosphor Bronze, Gold plating.

Mechanical:

- 1、Operating force: 8N<max>
- 2、Stroke: 2.00mm
- 3、Operation temp: -20 ℃ ~ 70 ℃
- 4、Storage temp: -40 ℃ - 85 ℃

Electrical:

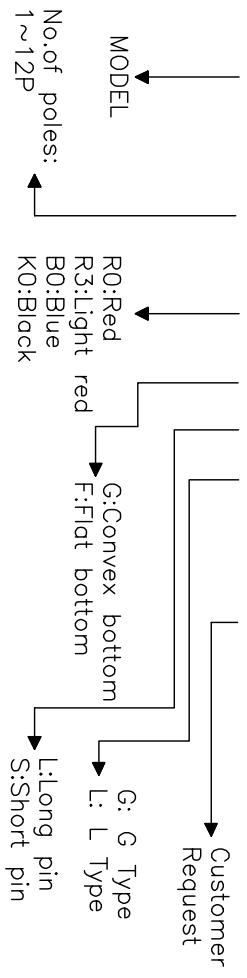
- 1、Electrical life: 2000 operations per switch 24VDC,25mA
- 2、Non-switching rating: 100mA,50VDC.
- 3、Switching rating: 25mA,50VDC.
- 4、The contact impedance (A: initial value of the maximum 50m (Ω, B testing after the maximum 100m 50m (Ω, B testing after the maximum 100m
- 5、Insulation resistance: (at 500VDC)100mΩ min
- 6、Dielectric strength: 500VAC/1minute.
- 7、Capacitance: Max 5pF.
- 8、The loop: single contact single selection

SOLDERING AND CLEANING PROCESSES:

- 1、For best results, please follow these recommendation: keep all switch contacts in their "OFF" position for all operations.
- 2、Wave soldering: recommended solder temperature at 250 ± 5 ℃, 3~5 seconds.
- 3、Hand welding: use 30 watt iron control temperature at 320 ℃, the welding time is about 2 seconds.
- 4、Cleaning: cleaning process using ultrasonic method, can give better results, use steam mode, temperature should not exceed 51 ℃.

HOW TO ORDER

KF1002-XXP-XX-X X X-XXX-XX X



Explain:

- 1, general tolerance: 10mm or more - + 0.2mm. Less than 10mm - + 0.1mm.
- 2, material and performance see accessories.

GENERAL TOLERANCE ANGLE TOLERANCE

X.	±0.5	X.	±5°
.X	±0.3	.X	±3°
.XX	±0.1	.XX	±1°

PROJECTION

UNITS	mm
SHEET SIZE	A4

TITLE

KF1002-XXP-XX-XXX-DFT
Direct plug-in side switch

DRAWING TYPE	CUSTOMER
SCALE	1:1
DRAWING NO.	SHEET 1 OF 1

科奕科技有限公司