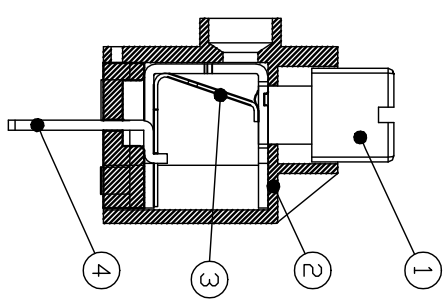
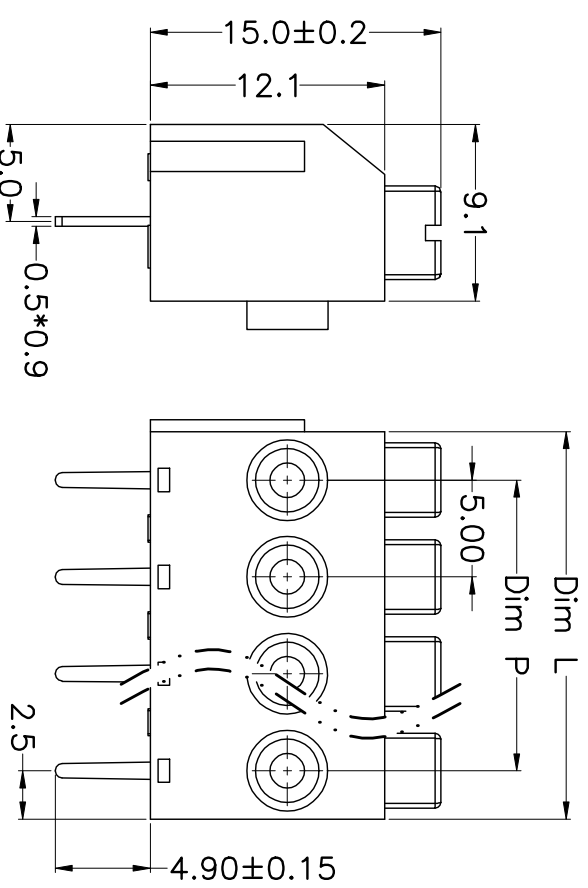
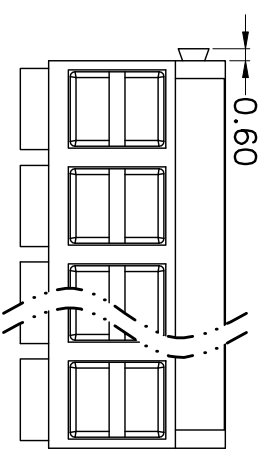


REV.	DESCRIPTION	DATE	DRAWN	APPROVED
A1	DWG.REL	2015.3.12	FANG	YANG



- Material
 - ⊙Button : PA66, UL94V-0
 - ⊙Cover : PA66, UL94V-0
 - ⊙Housing : PA66, UL94V-0
 - ⊙Reed : Stainless steel
 - ⊙Pin header : Brass, Tin plated

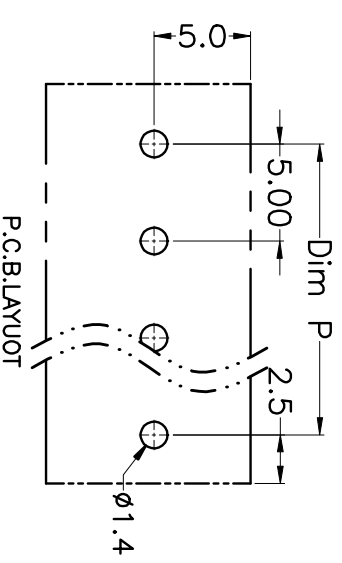
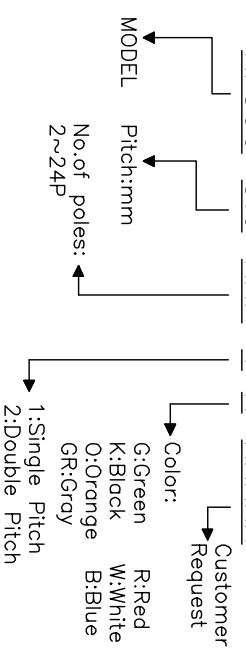
- Electrical

UL	IEC
Rated voltage : 300V	250V
Rated current : 8A	10A
Insulation resistance: 500MΩ/DC500V	
Withstanding Voltage : AC2000V/1min	
Wire range: 24-18AWG	1.0mm ²

- Mechanical
 - Operating temperature: -40°C ~ +105°C
 - Soldering temperature: 250°C ± 5 / 5sec
 - Strip length: 8-9mm

HOW TO ORDER

KF390-5.0-XXP-1 X-XXXXXX



Poles	Dim P	Dim L
2-6P	±0.10	±0.15
7-12P	±0.20	±0.20
13-18P	±0.25	±0.30
19-24P	±0.30	±0.40

GENERAL TOLERANCE ANGLE TOLERANCE

X.	±0.5	X.	±5'
.X	±0.3	.X.	±3'
.XX	±0.1	.XX.	±1'

DRAWING TYPE	CUSTOMER	SHEET	1 OF 1
SCALE	1:1	SHEET	1 OF 1
DRAWING NO.			

PROJECTION	TITLE
UNITS	KF390-5.0-XXP
SHEET SIZE	A4
SERIES	KF390

科奕科技有限公司