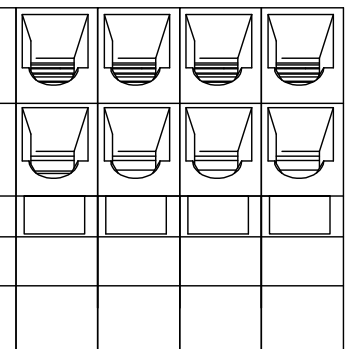
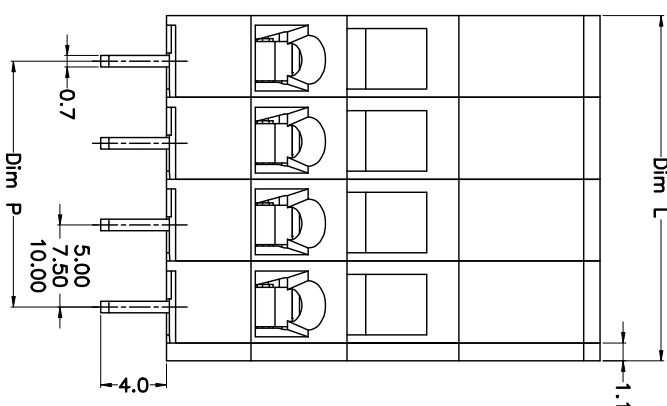
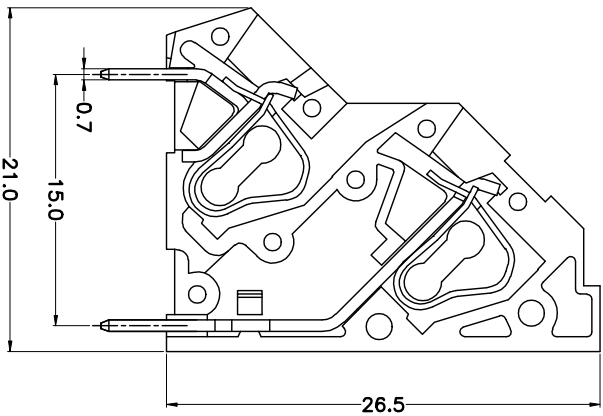


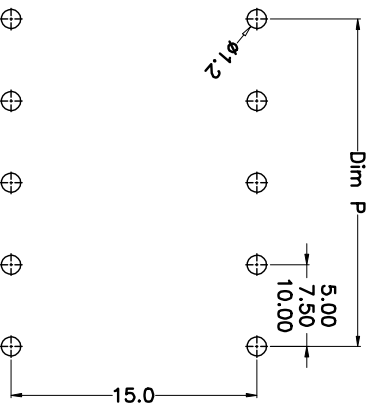
REV.	DESCRIPTION	DATE	DRAWN	APPROVED
A1	DWG.REL	2015.3.12	FANG	YANG



N=Number of Poles
 Dim P=(N-1)x5.00/
 =(N-1)x7.50/
 =(N-1)x10.00
 Dim L=Nx5.00+1.1/
 =Nx7.50+1.1/
 =Nx10.00+1.1

Poles	Dim P	Dim L
2-6P	±0.10	±0.15
7-12P	±0.20	±0.20
13-18P	±0.25	±0.30
19-24P	±0.30	±0.40

P.C.B. LAYOUT



GENERAL TOLERANCE		ANGLE TOLERANCE	
X.	±0.5	X.	±5°
.X	±0.3	.X.	±3°
.XX	±0.1	.XX.	±1°
DRAWING TYPE CUSTOMER		SCALE	
1:1		1 OF 1	
DRAWING NO.		SHEET	

PROJECTION	TITLE
mm	KF188B-X.XX-XXP
SHEET SIZE	SERIES
A4	KF188B

科奕科技有限公司

- Material
 - @Cover : PA66, UL94V-0
 - @Housing : PA66, UL94V-0
 - @Reed : Stainless steel
 - @Pin header : Brass, Tin plated

- Electrical UL IEC
 - Rated voltage : 300V 450V/750V/1000V
 - Rated current : 10A 17A
 - Insulation resistance: 500MΩ/DC500V
 - Withstanding Voltage : AC1500V/1min
 - Wire range: 28-12AWG 2.5mm²

- Mechanical
 - Operating temperature:-40°C~+105°C
 - Soldering temperature:250°C±5/5sec
 - Strip length: 5-6mm

HOW TO ORDER

