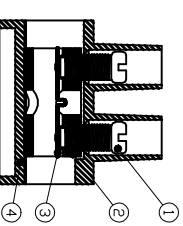
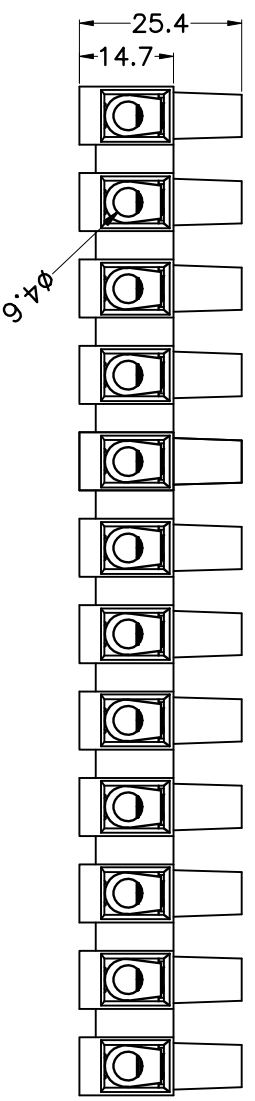
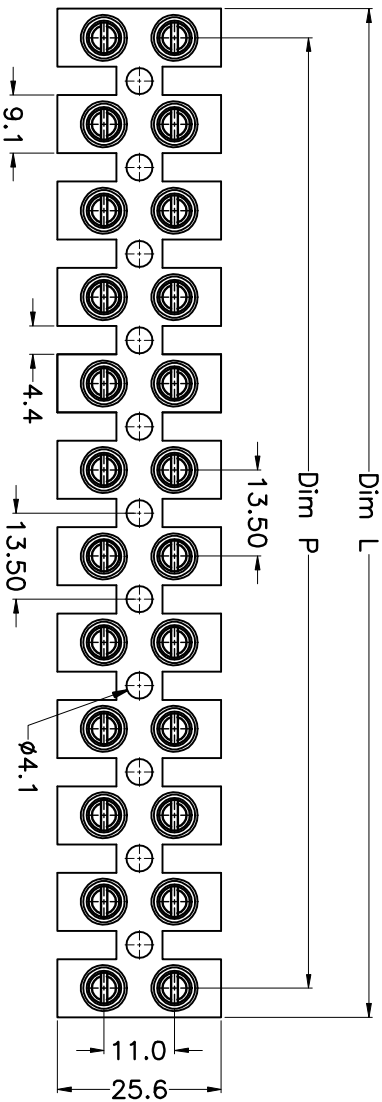


REV.	DESCRIPTION	DATE	DRAWN	APPROVED
A1	DWG.REL	2015.3.12	FANG	YANG

- Material  
 ØScrews : M3.5 steel, Zinc plated  
 ØClamp : Brass, Ni plated  
 ØReed : Stainless steel  
 ØHousing : PA66, UL94V-2

- Electrical  
 UL IEC  
 Rated voltage : 600V 750V  
 Rated current : 50A 57A  
 Wire range: 14-8AWG 10.0mm<sup>2</sup>

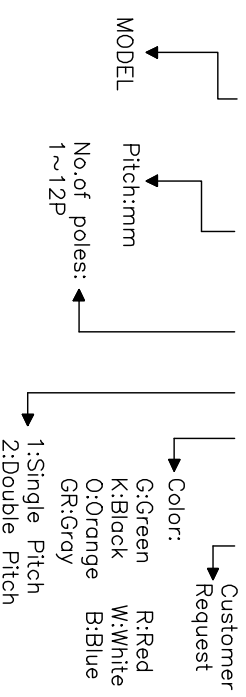
- Mechanical  
 Operating temperature: -40°C to +110°C  
 Soldering temperature: 250°C ±5/5sec  
 Torque: 1.2N.m (12.24Lb.in)



Poles	1P	2P	3P	4P	5P	6P	7P	8P	9P	10P	11P	12P
Dim P	0	13.50	27.00	40.50	54.00	67.50	81.00	94.50	108.00	121.50	135.00	148.50
Dim L	9.10	22.60	36.10	49.60	63.10	76.60	90.10	103.60	117.10	130.60	144.10	157.60
Tol.			±0.15						±0.20			

HOW TO ORDER

KF14HWP-13.5-XXP-1 X-XXXXX



GENERAL TOLERANCE ANGLE TOLERANCE

X.	±0.5	X.	±5'
.X	±0.3	.X.	±3'
.XX	±0.1	.XX.	±1'

PROJECTION UNITS TITLE

UNIT	mm	TITLE	KF14HWP-13.5-XXP
SHEET SIZE	A4	SERIES	KF14HWP

DRAWING TYPE	CUSTOMER	SCALE	1:1	SHEET	1 OF 1
DRAWING NO.					

科奕科技有限公司